

SH Standard Mega-Bore Short-Body Open Center Hydraulic Cylinder



Application / Benefits

Large bore for work requiring through hole
Compact design

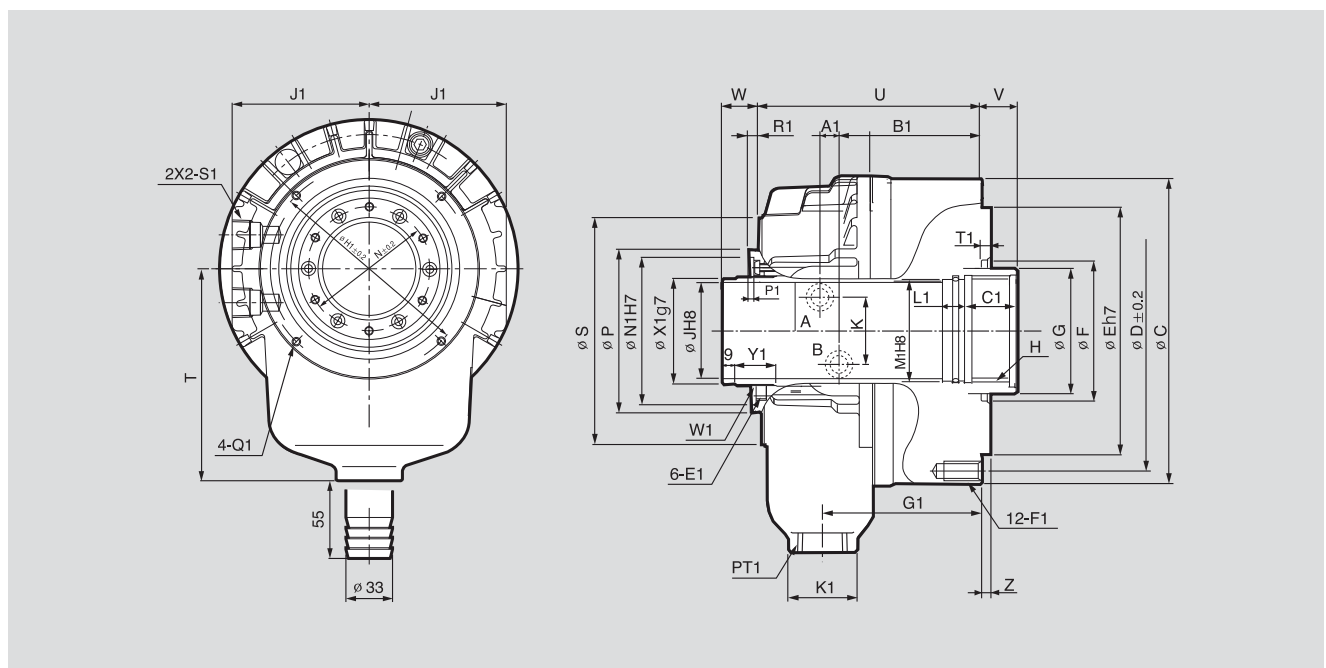
Technical features

Check valve maintains pressure during power outage

SPECIFICATIONS

	SH-10036	SH-13046	SH-15052	SH-17068	SH-18077	SH-19082	SH-21010	SH-25011
Available I.D. [mm]	36	46	52	68	77	82	106	117.5
Piston Dia. [mm]	105	135	156	170	185	190	215	255
Piston Stroke [mm]	12	15	22	25	25	25	30	23
Piston Force (Push) [kN(kgf)]	25(2549)	42.3(4285)	60(6118)	63(6531)	75.3(7632)	78.1(7924)	91.8(9357)	132(13390)
Piston Force (Pull) [kN(kgf)]	24(2447)	38.1(3865)	56(5710)	59.8(6060)	69.6(7087)	72.5(7350)	87.8(8952)	121(12305)
Max. Operating Pressure [MPa(kgf/cm ²)]	4.0(40.8)	4.0(40.8)	4.0(40.8)	4.0(40.8)	4.0(40.8)	4.0(40.8)	4.0(40.8)	4.0(40.8)
Max. r.p.m. [min ⁻¹]	8000	7000	6200	5600	5000	4800	3500	3000
Moment of inertia [N · m ² (kg · m ²)]	0.43(0.044)	0.2(0.021)	0.44(0.045)	0.65(0.067)	0.83(0.084)	0.95(0.097)	1.84(0.188)	1.9(0.193)
Weight [kg]	8.4	10	14	16.5	18	25	37	50
Total Leakage [l /min]	3.0	3.0	3.9	4.0	4.2	4.5	6.0	7.0

※ Maximum turning speed is based upon actual measurement.
※ Specifications are subject to change without notice.



※ See the product dimension Table on the right.

DIMENSIONS

	SH-10036	SH-13046	SH-15052	SH-17068	SH-18077	SH-19082	SH-21010	SH-25011
ΦC	135	165	190	210	218	223	263	310
ΦD	115	130	170	190	190	190	225	275
ΦE (기준경)	100	100	130	160	160	160	200	230
ΦF	65	80	85	120	120	120	160	166
ΦG	48	65	70	85	95	100	125	140
Hmax.	M42x1.5	M52x2.0	M60x2.0	M75x2.0	M85x2.0	M90x2.0	M115x2.0	M130x2.0
ΦJ	36	46	52	68	77	82	106	117.5
K	30	40	40	48	48	58	48	46
N	55	64	73	88	98	103	142	138
ΦP	73	85	96	111	121	126	157.8	170
ΦS	104	116	135	154	164	175	205	230
T	115	120	130	150	165	166	195	107.5
U	130	142	136	155	167	174	199.7	231
V max.	15	15	22	25	25	25	30	18
V min.	3	0	0	0	0	0	0	-5
W max.	37	40	47	50	50	44	55	48
W min.	25	25	25	25	25	19	25	25
Z	5	5	5	5	5	5	5	6
A1	9	8.5	9	10	10	11.5	14	19
B1	90	103	97.5	108	119.5	122	136.5	150
C1	25	30	30	35	35	35	35	45
E1	M5	M6	M6	M6	M6	M6	M6	M6
F1DP'	M10x17	M10x20	M10x20	M10x20	M10x20	M12x20	M12x20	M16x32
G1	93.5	111	101	113	125	129.5	151	163.5
H1	96	105	118	145	155	160	190	206
J1	73	82	92	97	102	105	120	140
K1	47	47	47	47	47	47	47	55
L1	15	15	15	15	15	15	15	20
ΦM1	38	48	55	70	80	85	110	123
ΦN1	64	76	85	100	108	113	128	150
P1	4	4	4	4	4	4	4	5.5
Q1	M5x7	M5x6	M6x7	M6x10	M6x10	M6x10	M6x10	M6x12
R1	5	6	7	7	7	7	7	7.5
S1	PT 1/2	PT 1/2	PT 1/2	PT 1/2	PT 1/2	PT 1/2	PT 1/2	PT 1/2
T1	6	6	5.5	5	5	6	6	6
W1	M44x1.5	M52x1.5	M58x1.5	M74x1.5	M84x2.0	M89x2.0	M119x2.0	M124x2.0
ΦX1	42	50	56	72.5	81	86	116	122
Y1	30	24	20	26	26	26	38	29